



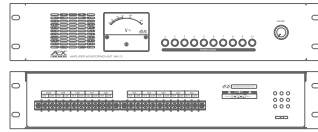
The AM 10 Amplifier Monitoring Panel provides aural and visual monitoring of the output from the power amplifier, designed for 100V line distributed speaker system. The AM 10 allows the selection of any one of up to 10 power amplifier outputs to be monitored.

Visual indication is provided by a VU meter that indicates the output level of the power amplifier. Aural monitoring is provided by a high quality 75 mm dynamic full range loudspeaker built into the enclosure of the unit. It is 19" EIA standard rack mountable and only takes up 2U space.

- Convenient monitoring of up to 10 power amplifier outputs.
- Large VU Meter provided for accurate visual monitoring.
- 75 mm dynamic full range loudspeaker unit with built-in attenuator for aural monitoring of the selected amplifier output.
- 19" EIA standard rack mountable, taking only 2U rack space.



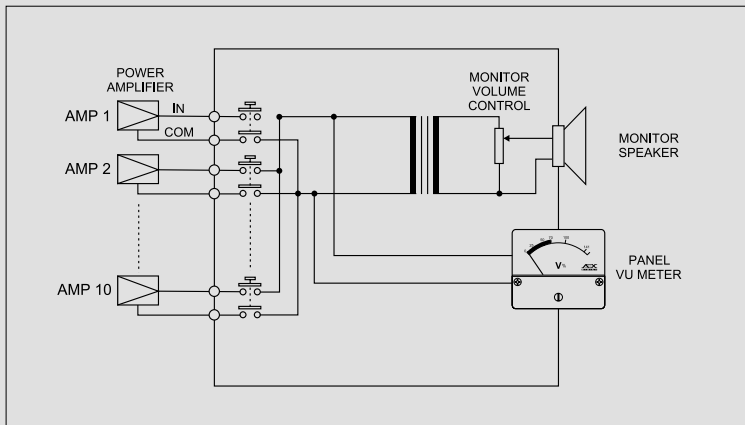
AM 10
Amplifier Monitoring Panel



Technical Specifications

AM 10	
Control	Source Selector : 10 interlocking switches with mechanical indicator buttons Audio Control : Stepless volume control
Input Voltage	100 V ; 5 kΩ
Loudspeaker Component	75 mm Dynamic Full Range
Level Meter	70 x 60 mm VU Meter
Material & Finish	Mild Steel; Epoxy Coated Steele Blue (RAL 5011)
Dimensions W x H x D	483 x 88 x 125 mm
Weight	1.8 kg

Block Diagram



Engineers' Specifications

The Amplifier monitoring panel shall be able to monitor the output of up to 10 power amplifiers, designed for 100V line distributed speaker system. Front panel selector switches shall be provided for manual selection of which output to be monitored. A front panel VU meter shall be provided for visual monitoring while aural monitoring shall be by means of a 75 mm dynamic full range loudspeaker. A volume

control shall be provided for control of the sound level output of the monitor speaker. The unit shall take up 2U rack space, mountable on to EIA standard 19" equipment rack. The dimensions of the unit shall be 483 x 88 x 125 mm (W x H x D) and weight of the unit shall not exceed 1.8 kg.

