



The LS 10 and LS 10A Loudspeaker Line Selectors allow switching between two sources in a Public Address system broadcast, for example between background music and general paging. Utilising an array of relays, the units each have 10 switches on the facial for manual control of the selection for 10 individual zones. The LS 10A however comes with an additional ALL CALL button, which automatically selects all the 10 zones on the unit. The ALL CALL control on the LS 10A unit can be cascaded to other LS 10 units to simultaneously activate all zones of units connected it.

Apart from manual zone selection, the LS 10 and LS 10A can also be remote controlled via a 15-pin D-Type parallel connector input at the rear of the unit. With an optional Remote Override signal, the front panel settings can be temporarily overridden while a new set of remote controlled zone selection takes precedence.

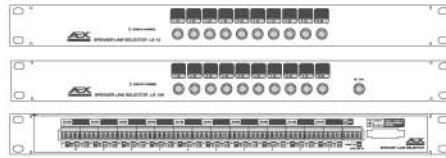
- Selectable output from dual inputs (ie. BGM and Paging).
- External / remote override via 15 Pin D-type female connector.
- Removable plug type I/O connectors to ease servicing.
- 500 W (100 V line) maximum power handling per output.
- LED status indicators provide easy visual monitoring.
- For the LS 10A model, an ALL CALL button is provided to activate all zones simultaneously, including the zone at the other LS 10 units which are linked via a LINK terminal provided behind the LS 10A.
- 1U 19" EIA Standard rack mountable.



LS 10
Line Selector



LS 10A
Line Selector with ALL CALL

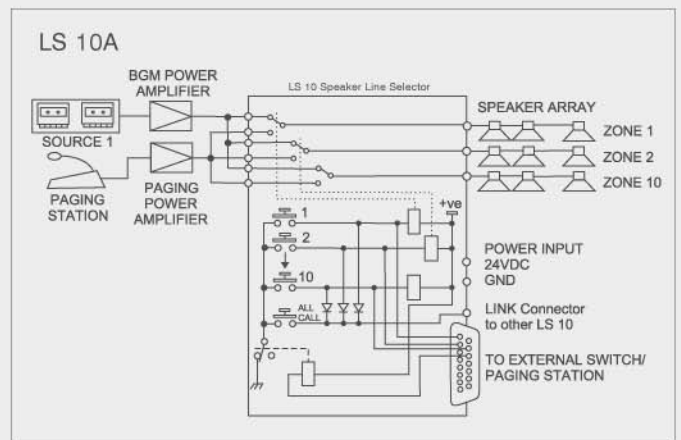
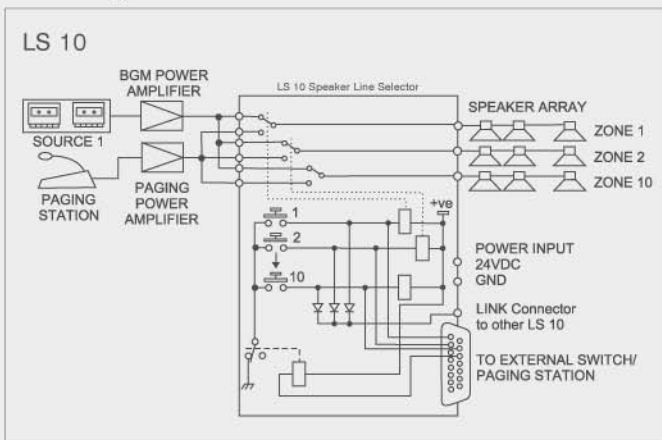


Technical Specifications

LS 10 / LS 10A

Connector	100 V line : 2.5 mm plug-in screw type, panel feed through terminal block Control input : 15 pin D type female connector
Switch buttons	10 nos. Cat-eye push buttons for line selection. 1 number ALL CALL button (LS 10A only)
Indicator Type	Green LED indicator for each zone. Red LED for REMOTE OVERRIDE
Control Input	Dry contact / Transistor closure to power ground
Max. Current Handling	5 A max. per channel (100V)
Power Requirement	External source of 24 Vdc, 350 mA
Dimensions W x H x D	483 x 44 x 200 mm
Material and Finish	Mild Steel; Epoxy Coated Steele Blue (RAL 5011)
Weight	2.4 kg

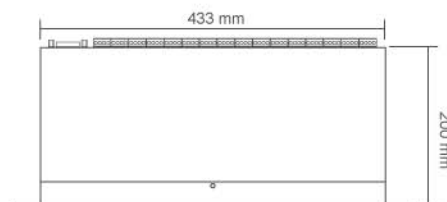
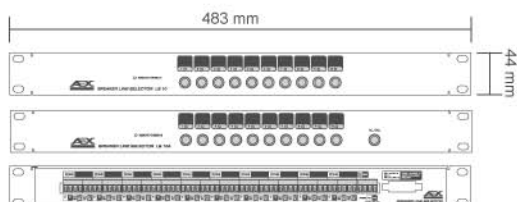
Block Diagram



Engineers' Specifications

The loudspeaker line selector unit shall be able to select between two sources rated at a maximum current of 5 A rated at 100 V line. Front panel push buttons shall be provided for manual selection while a 15-pin D-type connector is provided at the rear panel for remote / external switching of the zones. For remote / external control, a REMOTE OVERRIDE pin input shall be provided to temporarily disable the front panel settings. A red LED shall light up whenever

there is an external control and individual zone indicators for visual monitoring. Each unit shall be able to switch 10 individual zones (LS 10 and LS 10A) and shall have an ALL CALL button at the front panel for activating all the zones on the unit, together with all the other units linked to it via a terminal input at the rear (LS 10A only). The unit shall take up 1U rack space mounted to EIA standard 19" equipment rack. The weight of the unit shall not exceed 2.4 kg.



LS 10 (Top) / LS 10A (Centre)