



Designed to our philosophy of what we call, a product with elegance, the MS 200 Series Remote Paging Consoles transforms your reception or control centre into a powerful communication point in your establishment.

Taking up space of only the size of a notebook, the MS 200 Series provides integrated control in a single unit rather than having numbers of clumsy extensions to meet your zoning requirements, creating more working space on the desk and leaving it uncluttered.

To ultimately reduce cabling cost, installation error and shorten integration time, the MS 200 Series range of remote paging consoles only requires 3 pairs of cables to provide up to 100 selectable zones for a distance of 1.2 km.

- Unidirectional condenser gooseneck microphone with a wide frequency response of 200 Hz - 18 kHz.
- Built-in speech filter circuitry.
- Manual RESET button for system reset.
- Visual LED indicators for SIGNAL, POWER, BUSY/CHIME/TALK, GROUP A/B (on MS 204 & MS 210 only), ALL CALL, ALL CLEAR, ERROR and Individual Zone Selection.
- CP 102 Remote Paging Console Communication Panel can support up to a maximum of four MS 200 Series Remote Paging Consoles. 1 visual LED indicator for each Remote Paging Console (a total of 4 LED indicators) is provided on the CP 102 Remote Paging Console Communication Panel.
- Self-deactivation if the active Remote Paging Console is left unattended for more than 1 minute.
- Pre-announcement tune can be selected either at the MS 200 Series Remote Paging Console or at the CP 102 Remote Paging Console Communication Panel at the convenience of the user.
- The presetable priority mode (First In First Out (FIFO) or Remote Paging Console 1 as highest priority) can be set on the CP 102.
- Maximum cable length from MS 200 Series Remote Paging Console to the CP 102 Remote Paging Console Communication Panel is 1.2 km.



MS 201
10-Zone Remote
Paging Console



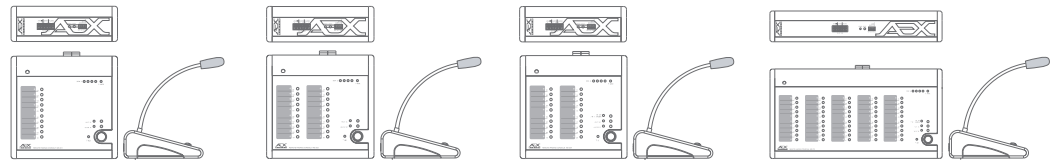
MS 202
20-Zone Remote
Paging Console



MS 204
40-Zone Remote
Paging Console



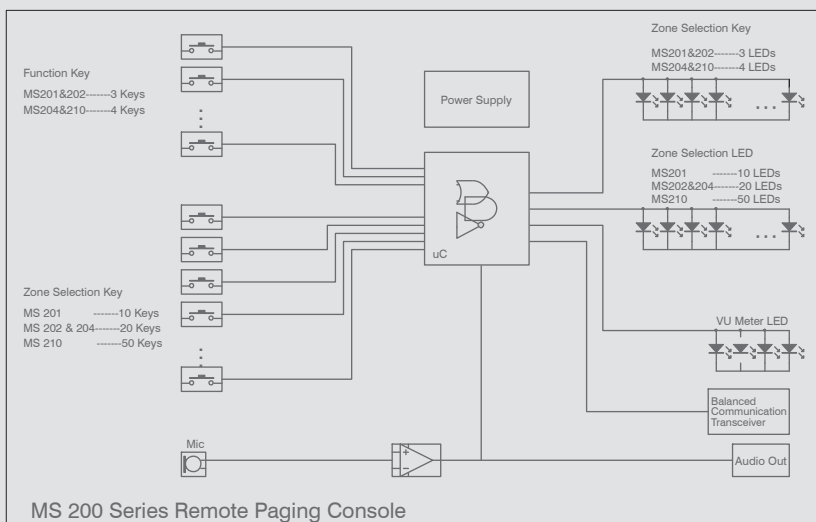
MS 210
100-Zone Remote
Paging Console



Technical Specifications

	MS 201	MS 202	MS 204	MS 210
Power Supply & Consumption	24 Vdc, 110 mA	24 Vdc, 130 mA	24 Vdc, 130 mA	24 Vdc, 170 mA
Audio Output Sensitivity	0 dBV, 600 ohm	0 dBV, 600 ohm	0 dBV, 600 ohm	0 dBV, 600 ohm
Microphone Frequency Response	200 Hz ~ 18 kHz	200 Hz ~ 18 kHz	200 Hz ~ 18 kHz	200 Hz ~ 18 kHz
Switches	10 nos., ALL CALL, ALL CLEAR, TALK & System RESET	20 nos., ALL CALL, ALL CLEAR, TALK & System RESET	20 nos., ALL CALL, ALL CLEAR, GROUP A/B, TALK & System RESET	50 nos., ALL CALL, ALL CLEAR, GROUP A/B, TALK & System RESET
Visual Indicator	POWER, BUSY/ CHIME/ TALK, Signal Level, ALL CALL, ALL CLEAR, ERROR, Individual Zone Selection	POWER, BUSY/ CHIME/ TALK, Signal Level, ALL CALL, ALL CLEAR, ERROR, Individual Zone Selection	POWER, BUSY/ CHIME/ TALK, Signal Level, GROUP A/B, ALL CALL, ALL CLEAR, ERROR, Individual Zone Selection	POWER, BUSY/ CHIME/ TALK, Signal Level, GROUP A/B, ALL CALL, ALL CLEAR, ERROR, Individual Zone Selection
Microphone	Non-removable condenser gooseneck microphone with windscreen	Non-removable condenser gooseneck microphone with windscreen	Non-removable condenser gooseneck microphone with windscreen	Non-removable condenser gooseneck microphone with windscreen
Capsule Type	10 mm Dia; Unidirectional	10 mm Dia; Unidirectional	10 mm Dia; Unidirectional	10 mm Dia; Unidirectional
Connector	6-way screw terminal	6-way screw terminal	6-way screw terminal	6-way screw terminal
Maximum Cable DC Resistance	30 Ω (Power & Ground), 80 Ω (Data & Audio)	30 Ω (Power & Ground), 80 Ω (Data & Audio)	30 Ω (Power & Ground), 80 Ω (Data & Audio)	30 Ω (Power & Ground), 80 Ω (Data & Audio)
Maximum Cable Length	1.2km (22 AWG-data), (22 AWG 2 Core Screen-audio), (18 AWG-power & ground)	1.2km (22 AWG-data), (22 AWG 2 Core Screen-audio), (18 AWG-power & ground)	1.2km (22 AWG-data), (22 AWG 2 Core Screen-audio), (18 AWG-power & ground)	1.2km (22 AWG-data), (22 AWG 2 Core Screen-audio), (18 AWG-power & ground)
Configuration & Control	5-way DIP Switch (with Speech Filter Control)	5-way DIP Switch (with Speech Filter Control)	5-way DIP Switch (with Speech Filter Control)	5-way DIP Switch (with Speech Filter Control)
Dimensions (W x H x D)	195 x 64.5 x 185 mm	195 x 64.5 x 185 mm	195 x 64.5 x 185 mm	361 x 64.5 x 185 mm
Weight	1 kg	1 kg	1 kg	1.2 kg
Material & Finish	ABS Resin & Aluminium, Steele Blue (RAL 5011)	ABS Resin & Aluminium, Steele Blue (RAL 5011)	ABS Resin & Aluminium, Steele Blue (RAL 5011)	ABS Resin & Aluminium, Steele Blue (RAL 5011)

Block Diagram



CP 102

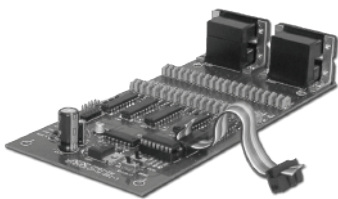
Remote Paging Console Communication Panel



CP 102

Remote Paging Console Communication Panel

This panel is dedicated to work together with AEX SYSTEM MS 200 Series Remote Paging Consoles. It works as a decoder to decode all the communication protocols from the paging consoles. It provides a maximum of 20 remote zone controls to be connected to AEX SYSTEM LS 10 / LS 10A Speaker Line Selector.



CP 102EM

Remote Paging Console Communication Extension Module

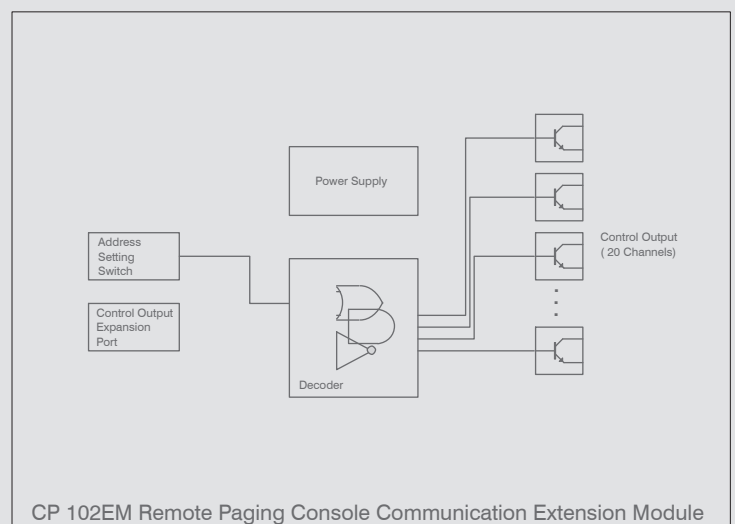
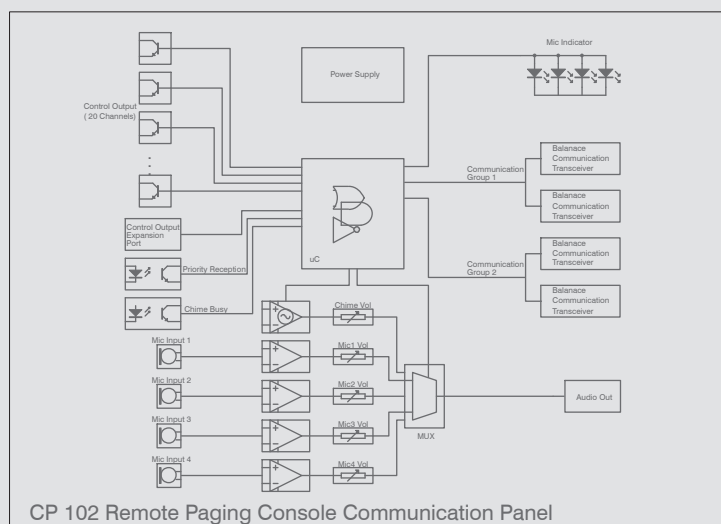
This module is an extension of AEX SYSTEM CP 102 Remote Paging Console Communication Panel. One CP 102EM is required when MS 204 is used in the system; and two CP 102EM when MS 210 is used. Each module provides 40 extra remote zone controls.

Item	Specification
Control Output Signals	Open Drain: <ul style="list-style-type: none"> 20 channel zone controls External chime activation & priority emission
Control Input Signals	External chime busy & priority reception
Audio Output Controls	<ul style="list-style-type: none"> 1 chime level control 4 paging consoles level control
Power Requirement	24 Vdc, 90 mA
Indicators	<ul style="list-style-type: none"> 1 Power LED 1 Priority LED 1 Error LED 1 Chime Signal LED 1 LED for each Paging Console 1 LED for each Extension
Connections	<ul style="list-style-type: none"> 12 nos. 3 Pole Plug Type Panel FeedThrough Connectors One stacked dual row 15-pin D-Type female socket
Configuration Setting	4 way DIP switch
Dimensions (W x H x D)	483 x 200 x 44 mm
Weight	2.45 kg
Material & Finish	Mild Steel; Epoxy Coated Steele Blue (RAL 5011)

Technical Specifications

Item	Specification
Control Output Signals	Open Drain: <ul style="list-style-type: none"> 40 channel zone controls
Power Requirement	24 Vdc, 20 mA
Connections	Two stacked dual row 15-pin D-Type female sockets
Configuration Setting	2 way slide switch
Dimensions (W x H x D)	87 x 186 mm
Weight	153 g

Block Diagram



CP 102

Engineers' Specifications

CP 102 Remote Paging Console Communication Panel

The Remote Paging Console Communication Panel shall be compatible with the MS 200 Series Remote Paging Console System and shall have the following features:

- 1 Power LED for power indication
- 1 Priority LED
- 1 Error LED
- 1 Chime LED during chime activation
- 4 Visual LED Indicators for Remote Paging Console (1 LED for each Remote Paging Console)
- 2 Visual LED indicators for Extension Module installed
- 4 way DIP Switch - for Priority Setting (1st in 1st out or Remote Paging Console with identification number 1 as priority) and Chime Tone Selection (no chime, 4 tone chime, 2 tone chime, gong, siren and external)
- 1 stacked dual row 15-pin D-Type socket & Plug Type Panel Feed Through Connectors
- 1 Chime Level Control
- 4 Microphone Level Controls

The Panel shall provide 2 spaces for CP 102EM Remote Paging Console Communication Extension Module.

CP 102EM Remote Paging Console Communication Extension Module

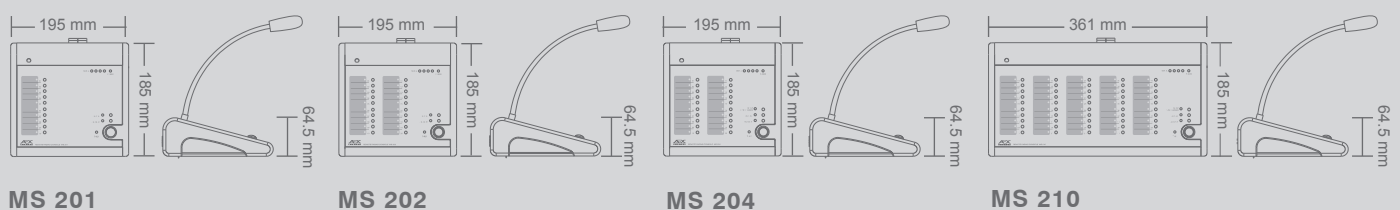
The Remote Paging Console Communication Extension Module shall be compatible with the CP 102 Remote Paging Console Communication Panel and shall provide the system with an additional control of 40 zones. Wiring connections shall be via two stacked dual row 15-pin D-Type sockets.

MS 200 Series

Engineers' Specifications

The Remote Paging Console System shall be of microprocessor based, utilising RS 485 communication protocol and shall have the following features:

- A unidirectional condenser gooseneck microphone with windscreen
- The audio signal shall be a balanced output of 0 dBV, 600 ohm
- Frequency response of 200 Hz - 18 kHz
- LED indicators for POWER, BUSY / CHIME / TALK, SIGNAL Level for Audio output, ALL CALL, ALL CLEAR, ERROR, Individual zones and GROUP A & B (MS 204 & MS 210 only)
- Zones selection, ALL CALL, ALL CLEAR, TALK & GROUP (MS 204 & MS 210 only) switches
- 5 way DIP switch - for Identification Number Setting, Chime Tone Selection (no chime, 4 tone chime, 2 tone chime & siren) & Speech Filter Control
- 6 pole screw terminal
- System RESET button



MS 201

MS 202

MS 204

MS 210