



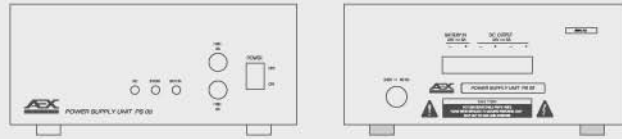
The PS 05 Power Supply Unit provides regulated power of 24 Vdc up to a maximum of 5 A. It features solid state protection against short circuit and overloading.

There is a provision on the PS 05 to allow for connection to an array of batteries for backup power supply that in the event of AC power failure, the battery power automatically switches to supply the equipments connected to the power supply unit.

- Regulated 24 Vdc power supply up to a maximum of 5 amperes.
- Solid state protection against short circuit and overloading.
- Supports external backup power source of 24 Vdc which automatically switches over to the load during mains power failure.
- LED status indicators provide easy visual monitoring.



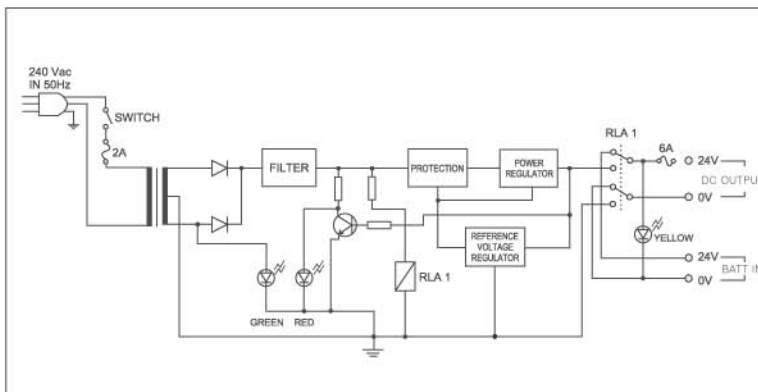
PS 05
Power Supply Unit



Technical Specifications

PS 05	
Input	240 Vac; 50/60 Hz 24 Vdc Battery Backup
Output	24 Vdc (Regulated), 5 A max
Regulation	+/- 0.5 Vdc, 0.2 V ripple max.
Protection	Solid state & fast blow glass tube fuse
Indicators	Short ~ Red LED AC 'ON' ~ Green LED Backup Power ~ Yellow LED
Dimensions W x H x D	210 x 88 x 272 mm
Material & Finish	Mild Steel; Epoxy Coated Steele Blue (RAL 5011)
Weight	5.0 kg

Block Diagram



Accessories



PS 01MB

Consisting of 2 ear pieces and mounting screws, the PS 01MB is used for front mounting a single unit PS 05 to a 19" EIA standard equipment rack.



PS 02MB

Consisting of 2 ear pieces, attaching plate and mounting screws, the PS 02 MB is used for front mounting two units of PS 05 to a 19" EIA standard rack.



Engineers' Specifications

The power supply unit shall provide an output of 24 Vdc regulated supply up to 5 amperes maximum. The unit shall be able to withstand any short circuit or overloading without causing damage to the unit. Input terminals shall be provided for external backup power source (ie. battery array) of 24 Vdc and shall automatically switch over the load connected to the unit during mains power failure. LED status

indicators shall be provided for NORMAL AC operation, SHORT CIRCUIT and BATTERY input to enable visual monitoring. The dimensions of the unit shall not exceed 210 x 88 x 272 mm (W x H x D) and weight not exceeding 5.0 kg.

