



The PT 085 and PT 165 are programmable timers having 8 individual output channels (PT 085) and 16 individual output channel (PT 165) respectively, with each of the output channels providing dry contact closure to integrate seamlessly with a spot announcer or digital source player to provide automatically timed announcements and program playback. The unit can be used to provide automatically timed triggering of other external devices as well.

Each individual output channel feature 50 programmable steps. The channels can be programmed on a weekly basis by linking the channels and day assignments.

The PT Series feature a 4-digit PIN which can be defined by the user thus ensuring that the unit's settings are not tampered by any unauthorized personnel.

With a 100-hour internal battery back-up, in the event of a power failure, the unit's stored programs and settings are maintained. The unit has a vacation feature when activated will disable the output channels.

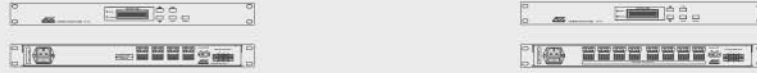
- 8 individual output channels (PT 085) and 16 individual output channels (PT 164) respectively providing dry contact closure with 5 seconds pulse duration.
- 50 programming steps per output channel.
- 1 week channel programming (SUN - SAT) with linking between channels and days.
- Password protection (4 digit PIN) for user settings and program alteration.
- Internal real time clock with ability to synchronise with Master Clock System.
- 100 hour internal battery backup for memory settings.
- Vacation feature.



PT 165
Program Timer



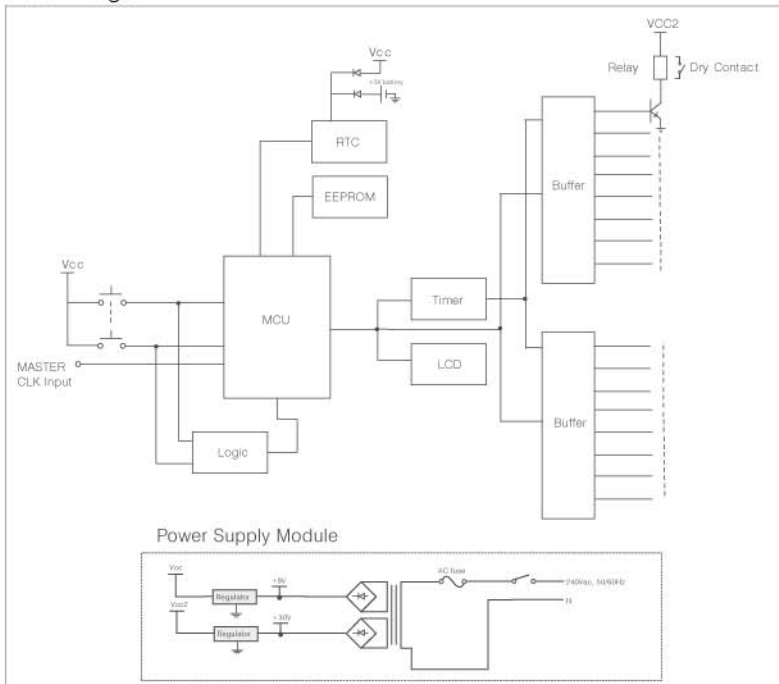
PT 085
Program Timer



Technical Specifications

	PT 085	PT 165
Output	8 individual outputs (providing dry contact closure)	16 individual outputs (providing dry contact closure)
Connectors	Panel feed through screw terminal blocks	Panel feed through screw terminal blocks
Indicator	16 x 2 alpha numeric green backlit LCD display	16 x 2 alpha numeric green backlit LCD display
Power Consumption	5 VA	5 VA
Power Requirements	220 / 240 Vac (50 / 60 Hz)	220 / 240 Vac (50 / 60 Hz)
Safety	Acc. to EN 60065	Acc. to 60065
Dimensions (W x H x D)	483 x 44 x 200 mm	483 x 44 x 200 mm
Material & Finish	Mild Steel; Epoxy Coated Steele Blue (RAL 5011)	Mild Steel; Epoxy Coated Steele Blue (RAL 5011)
Weight	3.0 kg	3.0 kg

Block Diagram



Engineers' Specifications

The unit shall provide 8 (PT 085) / 16 (PT 165) output channels to facilitate activation of external equipment. The output shall be a dry contact closure of approximately 5 seconds. Each output channel shall provide 50 program steps. The unit allows one week programming (Sunday - Saturday) while channel and day assignments may be linked. The unit shall be able to synchronize with the master clock of

the system. The unit shall be able to operate off AC mains and an internal battery will automatically be activated when AC mains are unavailable (to power the RTC & memory). Vacation mode setting disables operation of the unit while retaining all the settings. The dimensions shall not exceed 483 x 44 x 200 mm (W x H x D) and weight not more than 3.0 kg.

